

ONGA®



# PANTERA

POOL PUMP



# PANTERA POOL PUMPS

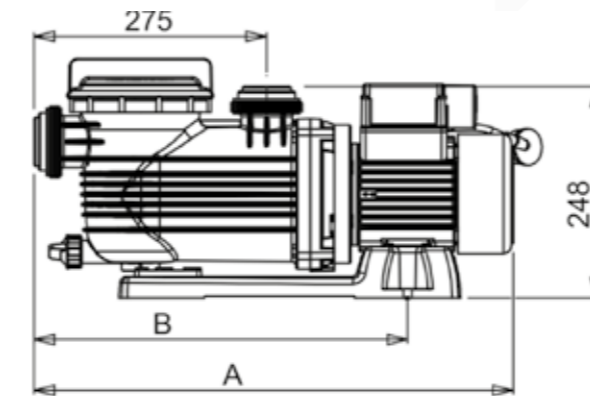
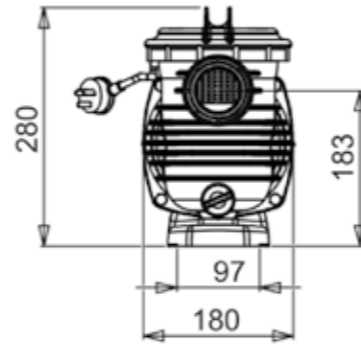
Pantera pumps are high performance pumps with 5 levels of corrosion resistance. With over 30 years experience selling into the pool industry, we know the more protection you give the motor, the better off you are and that's why we build five levels of motor protection into the Pantera range of pool pumps.

## FEATURES & BENEFITS

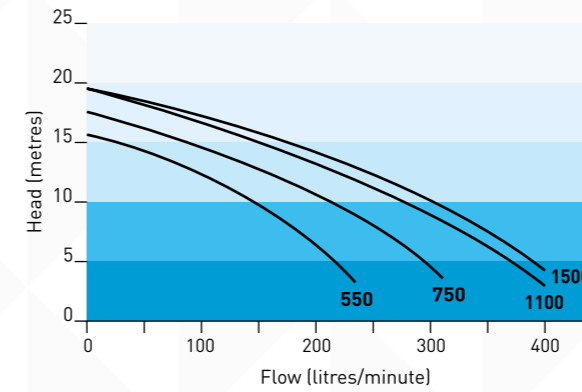
- ▶ 5 levels of corrosion resistance - Standard industry practice to protect pool pump motors from water ingress is normally only on two levels, a mechanical seal and flinger shaft sleeve. With over 30 years experience selling into the pool industry, we know the more protection you give the motor, the better off you are and that's why we build 5 levels of motor protection into the Pantera range pool pumps.
- ▶ Elevated motor foot - Incorporating an elevated mount into the pump design keeps moisture well away from the motor.
- ▶ Shaft Sleeve - A nylon shaft sleeve incorporating a flinger, adds additional water ingress protection.
- ▶ Mechanical Seal - A heavy-duty 3/4" 316 Stainless Steel mechanical seal (on all models) provides extended life and longer intervals between servicing.
- ▶ Plastic Yoke and Lip-Seal - The wet end design integrates a moulded end-shield cover and lip seal, protecting the motor from water damage.
- ▶ Self aligning barrel unions (40mm/50mm) included.

## DIMENSIONS

| Pump Model  | A (mm) | B (mm) |
|-------------|--------|--------|
| PPP-550-1P  | 565    | 428    |
| PPP-750-1P  | 565    | 428    |
| PPP-1100-1P | 602    | 465    |
| PPP-1500-1P | 602    | 465    |



## PUMP PERFORMANCE CHART



## MOTOR

|                   |   |
|-------------------|---|
| Type:             | TEFC 2 pole continuously rated                        |
| Nominal speed:    | 2800rpm   |
| IP rating:        | IPX5  |
| Insulation class: | Class F   |
| Thermal overload: | On-winding auto reset                                 |
| Frequency:        | 50Hz  |
| Voltage:          | 230-240V  |
| Bearing type:     | Deep groove ball bearing with double contact lip seal |

## MODEL DATA

| Pump Model  | Motor Kw Nominal | Supply Voltage | Phase | Full Load Current | Locked Rotor Current | Capacitor mfd | Sound Power Level | Supply Cord Length | Net Weight | Packed Weight | Carton Dimensions L x W x H |
|-------------|------------------|----------------|-------|-------------------|----------------------|---------------|-------------------|--------------------|------------|---------------|-----------------------------|
|             | kW(hp)           |                |       | (A)               | (A)                  |               | dBA*              | (m)                | (kg)       | (kg)          | (mm)                        |
| PPP-550-1P  | 0.55(3/4)        | 230-240V       | 1     | 2.9A              | 17A                  | 20            | 62                | 2                  | 12.5       | 14            | 660 x 240 x 305             |
| PPP-750-1P  | 0.75(1)          | 230-240V       | 1     | 3.9A              | 17A                  | 20            | 66                | 2                  | 12.5       | 14            | 660 x 240 x 305             |
| PPP-1100-1P | 1.0(1 1/4)       | 230-240V       | 1     | 5.0A              | 21A                  | 25            | 65                | 2                  | 13.5       | 15            | 660 x 240 x 305             |
| PPP-1500-1P | 1.2(1 1/2)       | 230-240V       | 1     | 6.1A              | 21A                  | 25            | 66                | 2                  | 13.5       | 15            | 660 x 240 x 305             |

## MATERIALS

| Component                 | Material  |
|---------------------------|---|
| Pump casing:              | 20% Glass filled ABS                                |
| Impeller:                 | 20% Glass filled ABS                                |
| Baffle:                   | 20% Glass filled ABS                                |
| Diffuser:                 | 20% Glass filled ABS                                |
| Yoke:                     | 20% Glass filled ABS                                |
| Drain cap:                | Polypropylene                                       |
| Shaft sleeve:             | Nylon   |
| Motor shaft:              | 400 series  |
| End shield:               | Cast iron   |
| Hair and lint pot O-ring: | Nitrile Teflon                                      |
| Casing O-ring:            | Nitrile   |
| Barrel union O-ring:      | Nitrile   |
| Barrel union:             | ABS   |
| Hair and lint pot lid:    | Polycarbonate                                       |
| Cord/ plug:               | H07RNF 3G 1.0mm                                     |
| Mechanical seal:          | 3/4 Carbon Ceramic, Nitrile Bel-lows, 316 ss spring |

Extra large hair and lint pot with see through lid

Self aligning barrel unions

Stainless steel motor shaft

Elevated motor foot

Self lubricating lint pot O-ring

Corrosion proof plastic yoke and rubber lip seal



# PANTERA®

## POOL PUMPS

---



1 - 21 Monash Drive,  
Dandenong South,  
VIC 3175  
1300 137 344  
[www.pentairpool.com.au](http://www.pentairpool.com.au)

Unless otherwise indicated, copyright in the content of this document is the property of Pentair Aquatic Systems Australia under Australian copyright law. Unless otherwise indicated, content may not be reproduced or transmitted without our prior written permission.

**Pumps / Filters / Heaters / Heat Pumps / Cleaners / Sanitizers / Automation / White Goods / Water Features / Maintenance Products**

L300034